



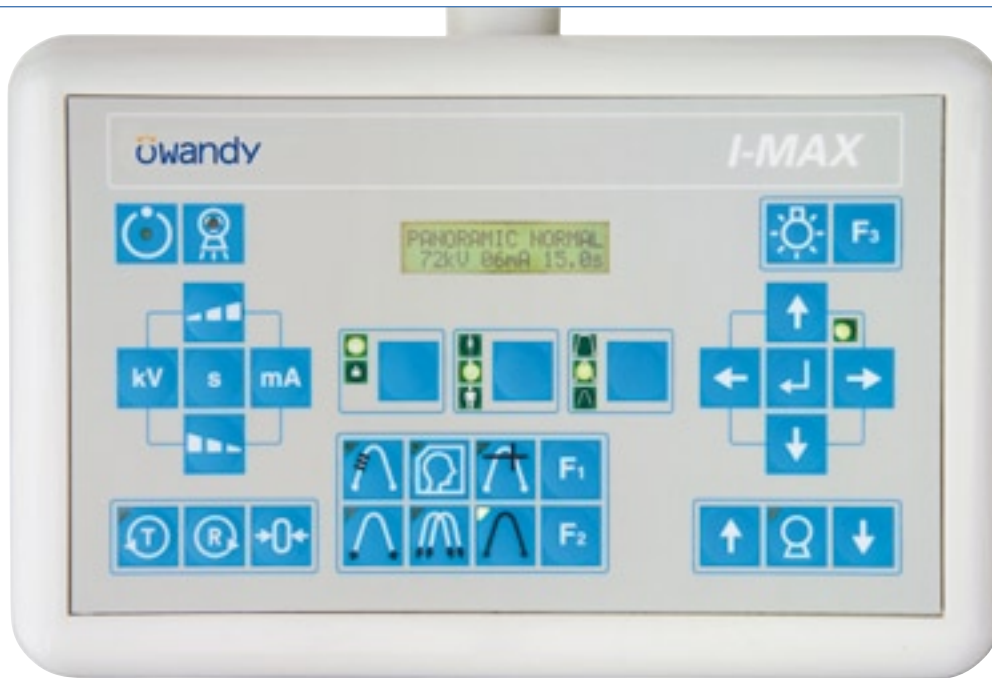
I-Max Plus and I-Max Plus Ceph

the first Dual System
digital panoramic unit

Digital imaging "à la carte"



Digital imaging "à la carte"



I-Max Plus offers a wide selection of programs

The first Dual System digital panoramic unit

I-Max Plus provides unmatched advantages that will enhance your standing among patients.

It combines a host of features for ensuring image quality and ease of use:

12 examination programs, 18 anatomical programs, face-to-face operation, a virtual control panel, a USB connection

with real-time images, resource sharing (using a Compact Flash card), and - for the first time - fully computerized operation thanks to a software. Never before has a single panoramic unit offered so many features.

I-Max Plus is determined to give you more.



- Adult panoramic view, standard mode



I-Max Plus
the first Dual System
digital panoramic unit

I-Max Plus: All the advantages of digital technology



Easier storage of images

The image is available immediately and **stored automatically in the patient file**. It can easily be sent over the Internet to a colleague or insurer, or printed out if necessary.

Enhanced practice management

The elimination of silver film reduces development costs, eliminates pollutants and frees up space previously occupied by the darkroom.

A complete selection of processing options

A range of digital imaging tools is available with the QuickVision software (including contrast enhancement, zoom, measurements, video inversion, pseudo colours, and more) to highlight the patient's pathology and to aid understanding.



- Front tooth.
Optimised definition
of the incisor block

An array of advantages that makes the difference

+ enhanced safety

A significant reduction in the amount of radiation needed to obtain an image.

+ instant results with a user-friendly process

No more waiting, for either patients or medical staff, a diagnosis is available instantly.

+ optimal quality

The image is digitised at source, to prevent the risk of information loss.

+ constant control

The exclusive post-compensation system corrects exposure-related errors.

- Tomographic image



Tomographic imaging

A benefit for your diagnosis

The tomographic programs generate radiological images with one or more cross-sectional tomographic

slices of any part of the maxillofacial area.

Additional advantage: the position of the patient does not change compared to that for a panoramic image.

I-Max Plus with user-friendly Dual System operation



- Hemipanoramic view: exposure is limited to the area of interest



Operate I-Max Plus using a virtual control panel

The system provides easy, intuitive access to all I-Max Plus functions at the control panel, face to face with your patient, or from your PC.

Two keys activate standard examinations that are pre-programmed into the unit. In each case, the trajectory is optimised during the exposure period.

The patient's position is a decisive factor in image quality.

The latest technology for meeting your diagnosis needs

With its 18 anatomical programs and 12 examination programs, I-Max Plus can handle any combination of radiodiagnostic tools.

The settings in each exposure program adjust automatically to reflect variations in spinal column density, providing an added quality guarantee.



I-Max Plus
 the first Dual System
 digital panoramic unit

I-Max Plus: new levels of performance



- Sinus PA: Postero-anterior view of the maxillary sinuses



- Adult panoramic view, standard mode

Improved diagnoses, thanks to Owandy technology

Using a generator that is recognized around the world for its high-performance components, I-Max Plus incorporates the latest technological advances in medical imaging. The result of a long-term joint endeavour, drawing on the combined expertise of a major manufacturer and a well-known publisher of software for the dental industry, I-Max Plus is a sophisticated, powerful, and innovative panoramic unit.

A natural position for patients...

With I-Max Plus, you are face to face with the patient. As a result, you immediately establish a relationship of trust that allows for easy and continuous operation of the control panel while you maintain eye contact.

...Successful images, every time

The ergonomic handlebars can be positioned and inclined to lower the shoulders naturally and elongate the neck while ensuring that the patient is in a stable, comfortable position.

Three laser beams (along the mid-sagittal, lateral and Frankfurt planes) provide added verification that the patient is correctly positioned.

The advantage of built-in intelligence

Simple and intuitive, the control keypad provides access to a wide selection of programs that can be used without changing the patient's position. Once you have chosen a program, I-Max Plus automatically sets the exposure settings to guarantee optimal image quality.

Integrated control of exposure parameters

Each exposure setting is stored in the patient file and can be easily reproduced. The exposure program can be modified manually and adapted to each patient's specific diagnosis needs with extreme precision.

I-Max Plus Ceph: Digital teleradiography

It is now possible to obtain cephalometry images on the I-Max Plus.

High quality images, as they are produced by a CCD of the same generation as is used in panoramic mode.

A massive reduction in the x-ray dosage.



Benefit from a cephalometric diagnosis in complete safety. You do not have to move your sensor around. The I-Max Plus Ceph has been conceived with 2 fixed sensors.

Digital cephalometry benefits from all the existing advantages of I-Max Plus: independent high-definition sensor, USB 2 connection, image in real time, facility to take shots without connection to a PC, using a Compact Flash card, virtual console...

Perfection in 3 points

The cephalometric examination is carried out by horizontal linear sweeping using three items:

- **The primary collimator** (near the generator)
- **The secondary collimator** (in front of the patients face)
- **The sensor**

The method of carrying out the examination gives the same projection image as traditional film.

Choice of 5 formats

The selections offered are:

- 1) CEPH with image format: 30 x 22 cm A, 24 x 22 cm A, 24 x 22 cm S, 18 x 22 cm A
- 2) WRIST with image format: 18 x 22 cm S

A is the format for latero-lateral projection.

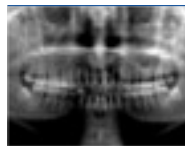
S is the format for postero-anterior projection.





I-Max Plus
 the first Dual System
 digital panoramic unit

Gain your freedom with Dual System technology



- Orthogonality.
 Orthogonal projection facilitates
 detection of interproximal caries

PROGRAMS

- ADULT PANORAMIC
- CHILD PANORAMIC
- RIGHT/LEFT HEMIPANORAMIC

TMJ	Lateral TMJ, open- or closed-mouth Biaxial TMJ Postero-anterior TMJ
SINUS	Maxillary sinus, postero-anterior Maxillary sinus, lateral-lateral
APPLICATIONS DENTAL ADVANCED	Orthogonal image-taking of dentition Front dentition Reduced panoramic
TOMOGRAPHY	Cross-sectional slices (2 or 4 images)



A uniquely valuable diagnostic tool

With I-Max Plus, resource sharing becomes **the key to profitable practice management**, regardless of the configuration you use.

Sole-practitioner or network installation

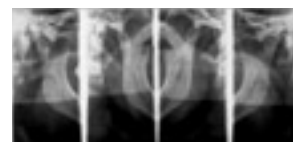
The I-Max Plus's USB2 interface can easily be connected to any PC that has a USB port.

Group practice

The I-Max Plus comes pre-equipped with a Compact Flash card and **can store images without the need for a PC connection.** Once saved on the card, the images can be displayed on any other PC in your practice.

I-Max Plus, at the forefront of diagnoses

The quality of the instant panoramic image is the cornerstone for a new approach to patient evaluation, enabling you to make **a comprehensive and highly precise diagnosis** - another professional advantage provided by I-Max Plus.



- TMJ, mouth open and closed,
 to study condyle movement



I-Max Plus

the first Dual System
digital panoramic unit

A panoramic view of your patients

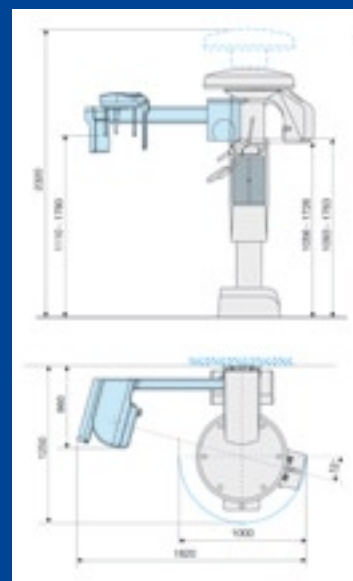
As the key tool in the development of a comprehensive dental treatment plan and a valued communication support, the panoramic image is now an essential element in the successful growth of a dental practice.

I-Max Plus

• Digital sensor	CCD
• Pixel size	48 µm
• CCD resolution	10.4/5.2 pl/mm
• Gray levels	4,096 - 12 bits/pixel
• Enlargement ratio	1.23 (constant)
• PC connection	USB 2.0 – 480 MB/sec.
• Storage	Compact Flash card
• Image size	147 x 380 mm
• kV selection	50-80 kVp (2 kV by 2 kV)
• mA selection	4...12 mA, in increments of 1 mA
• Focal length	0.5
• Exposure time Panoramic TMJ open/closed	15 seconds (adult)/13.5 seconds (child) 4 x 2.65 seconds
• Voltage	230/120 Vac (10%) Single phase, 50-60 Hz
• Absorbed current	8 A @ 230 V, 15 A @ 108 V
• Power input	2 kVa
• Weight	135 kg
• Standards	EC

I-Max Plus Ceph

• Pixel size	96 µm x 96 µm (standard mode 2 x 2) 144 µm x 144 µm (standard mode 3 x 3)
• Format - Image Sweep time	30 x 22 – 15 s • 24 x 22 – 12 s • 18 x 22 – 9 s
• Distance of planigraphic plane from image	1 650 mm
• Cephalometry magnification factor	1:1.1
• Position of the primary collimator	2 : panoramic and cephalometric
• Sensor thickness	6 mm
• Sensor height/height of x-ray beam on the sensor	220 mm
• Direction of sweep	Horizontal
• Maximum sensor sweep amplitude	300 mm
• Sensor examination speed	20 mm/s (in standard mode 2 x 2)
• Type of sensor speed	Constant



Dealer stamp

Owandy
6, allée Kepler
77420 Champs sur Marne
France
Tel: +33 (0)1 64 11 18 18
Fax: +33 (0)1 64 11 18 10
Email: info@owandy.com
www.owandy.com

DIGITAL SENSORS
PANORAMIC UNITS
CAMERAS
RADIOLOGY EQUIPMENTS
SOFTWARE